


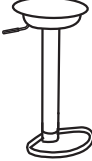






Gas Lift Barstool
CF502024



PART LIST

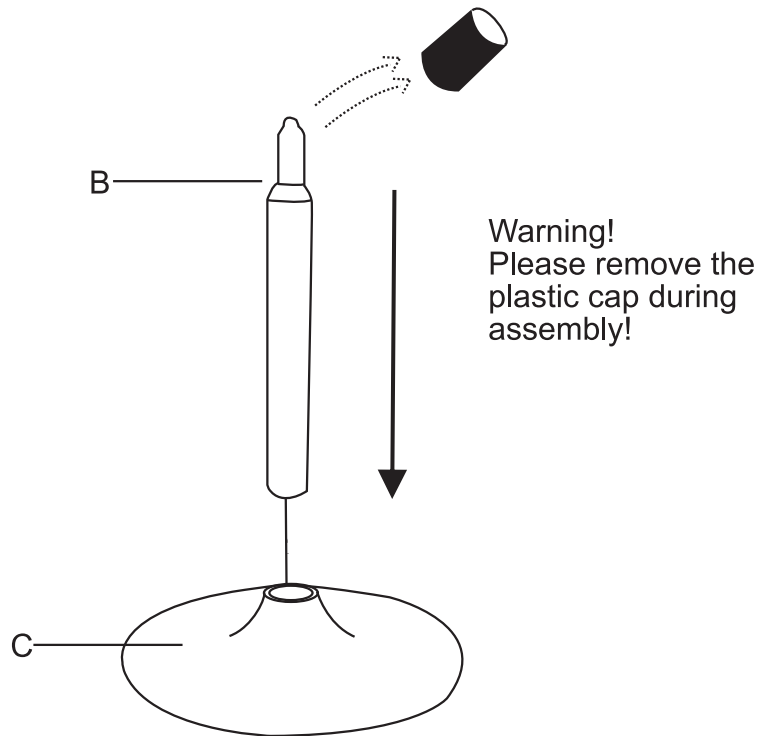
<div data-bbox="164 203 204 241" data-label="Text">#A</div> 	<div data-bbox="419 203 459 241" data-label="Text">#B</div> 	<div data-bbox="675 203 715 241" data-label="Text">#C</div> 	<div data-bbox="930 203 970 241" data-label="Text">#D</div> 
<div data-bbox="252 405 320 472" data-label="Text">Seat 1 PC</div>	<div data-bbox="491 405 592 472" data-label="Text">Gas Lift 1 PC</div>	<div data-bbox="767 405 836 472" data-label="Text">Base 1 PC</div>	<div data-bbox="995 405 1096 472" data-label="Text">Footrest 1 PC</div>

HARDWARE LIST

<div data-bbox="164 629 204 667" data-label="Text">#1</div>  <div data-bbox="236 775 331 797" data-label="Text">M6x18mm</div>	<div data-bbox="419 629 459 667" data-label="Text">#2</div>  <div data-bbox="531 775 563 797" data-label="Text">M6</div>
<div data-bbox="177 831 389 898" data-label="Text">Bolt 4 PCS (Extra 1)</div>	<div data-bbox="453 831 633 898" data-label="Text">Allen Wrench 1 PC</div>

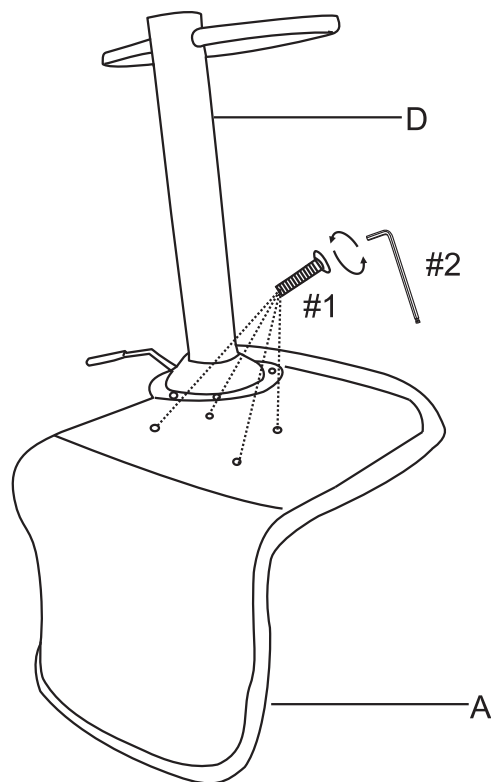
Step 1 . Carefully sit base (part C) down on a flat, soft surface, such as carpet. Remove plastic cap from gas lift (part B). Place gas lift (part B) into base (part C).

Note: Please make sure gas lift (part B) is fixed tight.



Step 2 . Carefully lay seat (part A) upside down on a flat, soft surface, such as carpet. Attach footrest (part D) to seat (part A) using bolts (part #1) and allen wrench (part #2).

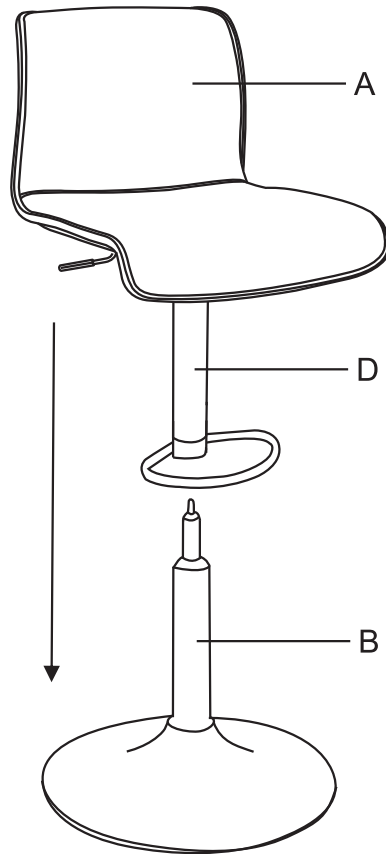
Note: Please fully tighten all the bolts.



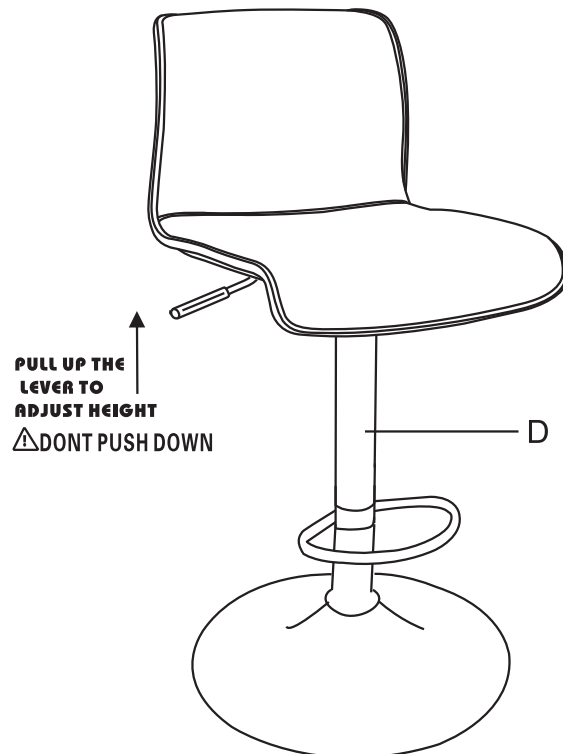
#1  X4

#2  X1

Step 3 . Place assembled unit (parts A & D) onto gas lift (part B). Press down to settle.



Step 4 . Pull up lever on footrest (part D) to adjust the seat to suitable height.



Caution:
Do not stand on the stool under any circumstance.